



# PRODUCT BROCHURE

## DAVIT ARMS AND BASES

DA 800, 1000

DAP 1600, 2000 & 2500

DB 70 & 150 - 850



## Davit Based Systems

Davit arms up to 2.5m reach



*“Designed to be removable and to be used together with the permanent Davit base plates. They are designed for lifting and lowering personnel and materials.”*

**Davit based abseil systems used for facade access are perfect for areas where no loading on the parapet , coping or balustrades is possible.**

Designed to be portable and easily moved around site they come with a storage bag on arms up to 1.6m, lockable storage boxes to keep them secure while not in use on site also available.

Primarily used for abseil purposes they also have the ability to be used for materials lifting such as glass replacement.

### APPLICATIONS

An effective davit system provides a safe working environment for:

- Safe facade access by means of abseil to enable:
  - Window and facade cleaning
  - Window inspection
  - Miscellaneous maintenance tasks

### PRODUCT FEATURES

- Posts range in height from 70mm then from 150 mm to 850mm in 100mm increments
- Deck or Parapet fixed Electric or manual winch capability
- Cast in option in Stainless steel - To finish at deck level or extended davit base to allow for roof build-up
- Bespoke davit weathering surrounds with lid for deck level option





## Davit Arms

Any size for any project

### DA 800

Our most popular arm that covers most davit requirements

**Size (Height and Reach)**  
1500mm x 850mm

**Working loads  
(Personnel and Goods)**  
136kg/450kg

**Materials (For the arms)**

- Aluminium 0.50 - 0.75 Si,  
Max 0.35, Fe 0.40 - 0.70 Mg
- Tensile strength 186MPa  
Yield strength 110MPa

**Inspection Routine**  
LOLER thorough  
examination at installation/  
first use and then 6  
monthly as required by  
legislation.

### DA 1000

Designed with an extended reach and capable of Materials lifting

**Size (Height and Reach)**  
1200mm x 1000mm

**Working loads  
(Personnel and Goods)**  
136kg/450kg

**Materials (For the arms)**

- Aluminium 0.50 - 0.75 Si,  
Max 0.35, Fe 0.40 - 0.70 Mg
- Tensile strength 186MPa  
Yield strength 110MPa

**Inspection Routine**  
LOLER thorough  
examination at installation/  
first use and then 6  
monthly as required by  
legislation.

### DAP 1500

For increased parapet widths capable of materials lifting

**Size (Height and Reach)**  
2000mm x 1500mm

**Working loads  
(Personnel and Goods)**  
120kg/350kg

**Materials (For the arms)**

- Grade 304 Stainless Steel  
for end boom section and  
fixings, aluminium tube for  
main boom and body

**Standards**  
BS8610:2017

**Inspection Routine**  
LOLER thorough  
examination at installation/  
first use and then 6  
monthly as required by  
legislation.

### DAP 2000/2500

For increased parapet widths capable of materials lifting

**Size (Height and Reach)**  
2000mm x 2000/2500mm

**Working loads  
(Personnel and Goods)**  
120kg/350kg

**Materials (For the arms)**

- Grade 304 Stainless Steel  
for end boom section and  
fixings, aluminium tube for  
main boom and body

**Inspection Routine**  
LOLER thorough  
examination at installation/  
first use and then 6  
monthly as required by  
legislation.

# Common Fixing Details

We can fit to most deck types

## Bolt on Concrete Deck

Standard resin fixing to decks of min 160mm

### Materials

- Base - Galvansied or Stainless
- Fixings - Stainless

### Standards

EN795  
BS8610:2017

### Inspection Routine

LOLER thorough examination at installation/ first use and then 6 monthly as required by legislation.

## Bolt on Concrete Parapet

For side fixing to a parapet wall

### Size

400mm x 300

### Materials

- Base - Galvansied or Stainless
- Fixings - Stainless

### Standards

BS8610:2017

### Inspection Routine

LOLER thorough examination at installation/ first use and then 6 monthly as required by legislation.

## Composite Deck

With the use of backing plates

### Size (Height and Reach)

Job specific

### Working loads (Personnel and Goods)

15kN

### Materials

- Base - Galvansied or Stainless
- Fixings - Stainless

### Standards

EN795  
BS8610:2017

### Inspection Routine

LOLER thorough examination at installation/ first use and then 6 monthly as required by legislation.

## Cast in Concrete

Flush with deck or to finished floor level

### Size (Height and Diameter)

### Deck Level

200mm x 300mm

### Extended

500mm x 300mm

### Working loads (Personnel and Goods)

21kN

### Materials

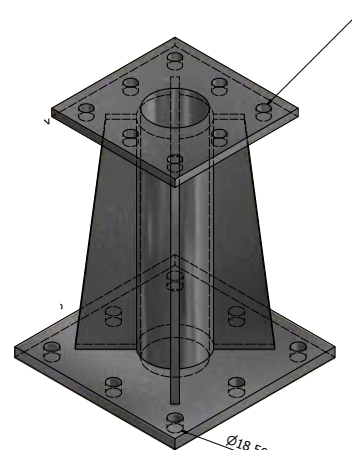
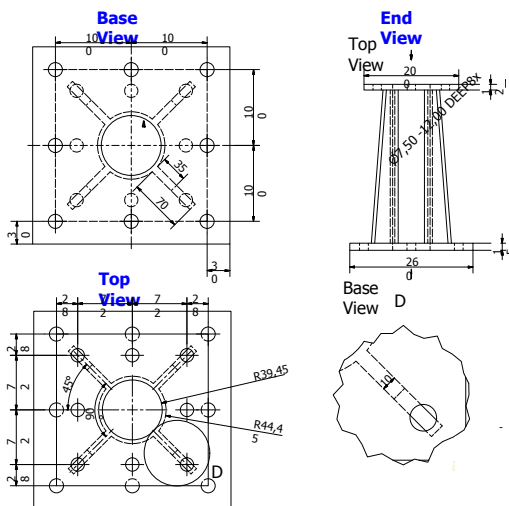
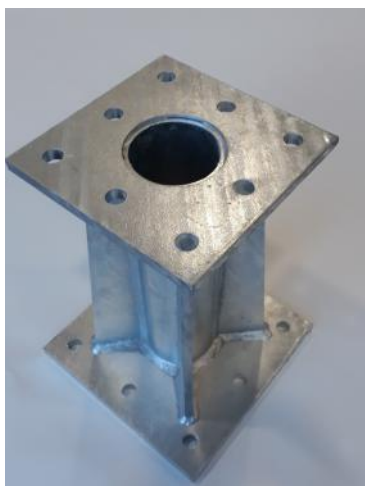
- Base - Stainless
- Fixings - Stainless

### Standards

BS8610:2017

### Inspection Routine

LOLER thorough examination at installation/ first use and then 6 monthly as required by legislation.



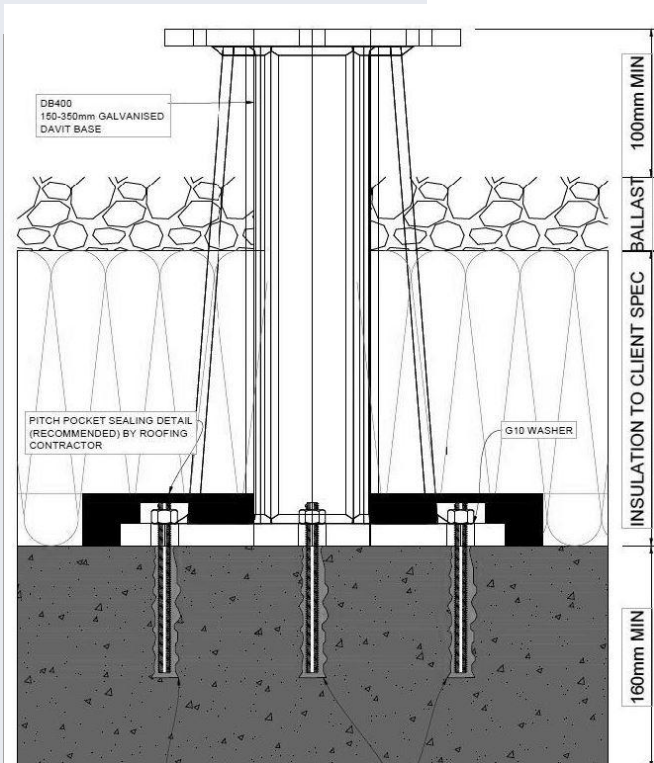
88.9 5.0mm S235JRH L  
Circular Section  
Hollow n



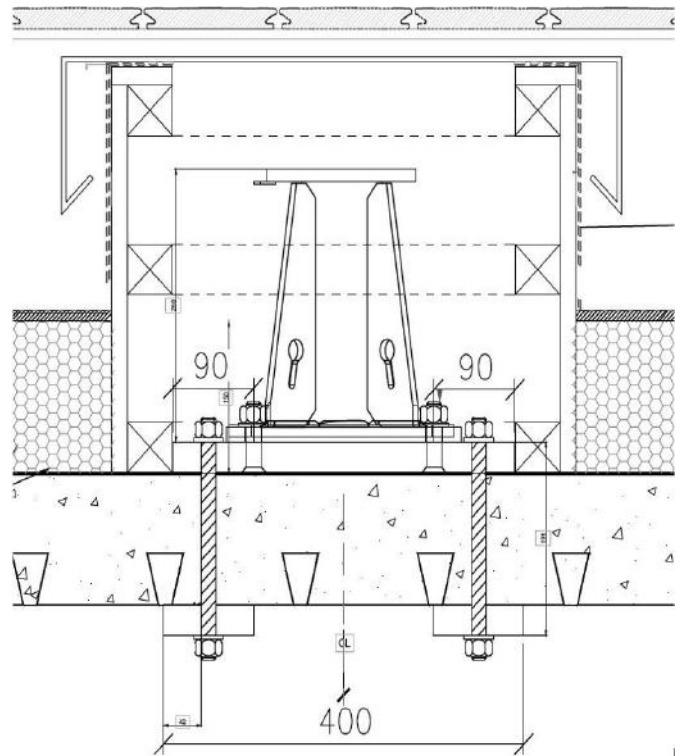


# The Sayfa Facade Access System

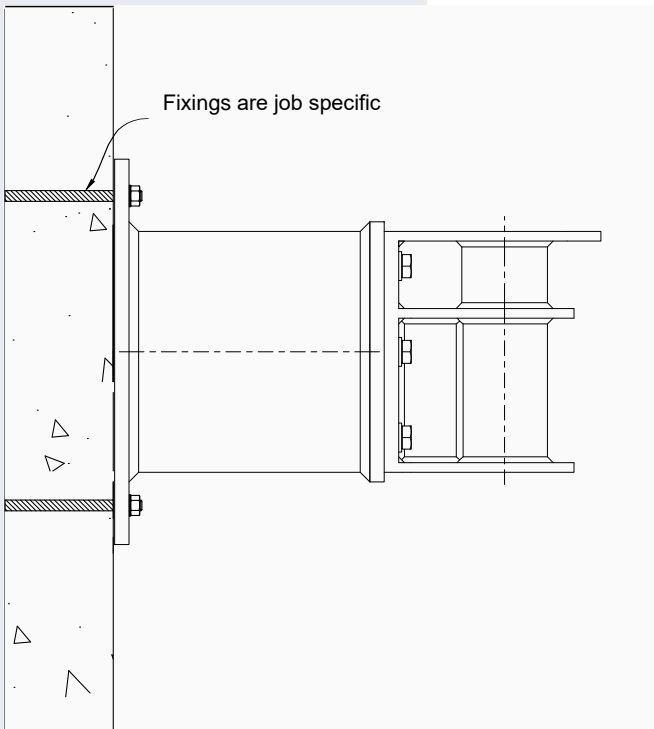
Davit Arms & Bases - Common Fixing Details



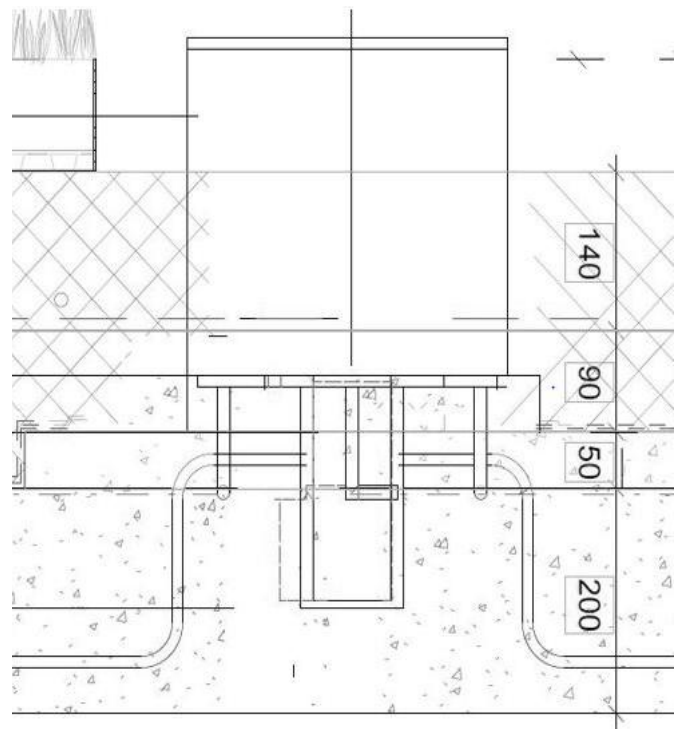
**Standard Concrete Deck**



**Composite Deck**



**Parapet Fixed**



**Cast In**

## ABOUT SAYFA

### OUR PURPOSE IS TO KEEP PEOPLE SAFE WHEN WORKING AT HEIGHT

We design, manufacture, install and maintain a range of fall protection and fall prevention products with the sole aim of either eliminating or reducing the risks associated with working above ground level.

From providing safe access to rooftops and building facades for maintenance purposes, to load and work platforms and fall arrest systems used extensively in the housebuilding and construction industry, we are always thinking ahead with a view to generating a better, more effective and safer system. At SAYFA SYSTEMS – Safety comes first.

Part of the Propco Construct Group of companies

### OUR VALUES

- Respectful
- Energetic
- Accountable
- Caring
- Honest



Sayfa Systems Ltd  
Jubilee House  
Gelders Hall Road  
Shepshed  
Loughborough  
Leicestershire  
LE12 9NH

T: 01509 502 155  
email: [info@sayfasystems.com](mailto:info@sayfasystems.com)  
[www.sayfasystems.co.uk](http://www.sayfasystems.co.uk)