

**PRODUCT  
BROCHURE**  
Abseil Anchors



## Abseil Anchors

For facade access



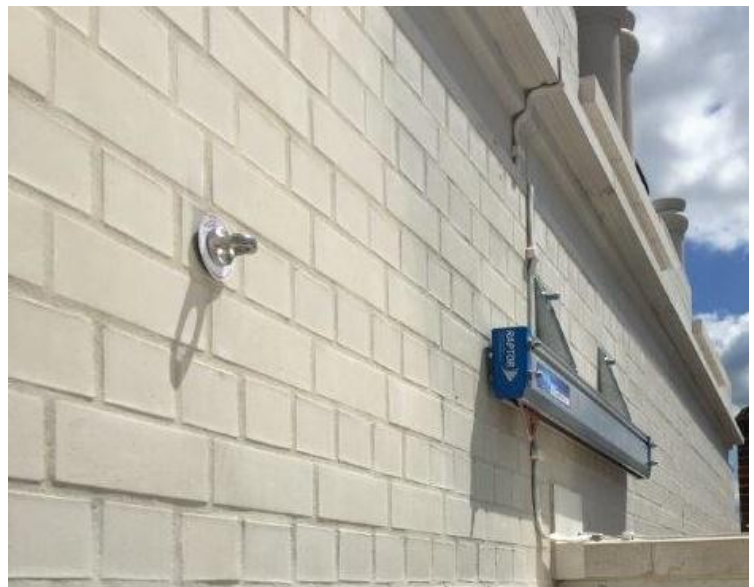
Abseil anchors are designed to be fixed to a structural substrate such as structural steel or concrete to provide suitable rope access connection points. There are 2 types of abseil anchors available – abseil posts and abseil eyebolts. Abseil eyebolts are supplied in stainless steel. Posts and eyebolts are secured to concrete with resin anchors and to steelwork with stainless steel bolts, washers and vibration proof nuts. When fixing to metal deck it may be necessary to provide a backing plate to ensure compliance with loads to the structure.

### APPLICATIONS

- Designed for Abseil purposes
- Cleaning of Facades and for maintenance purposes
- Offering access to areas not available by conventional means
- Can be fixed to steel or concrete
- Used in conjunction with abseil rail or other products

### SPECIFIC PRODUCT SPECIFICATION

- Abseil posts in Galvanised Steel or stainless
- Side, top or deck fix options
- Stainless steel fixings for Posts
- Powder coating option





# Abseil Anchors

## Different Uses

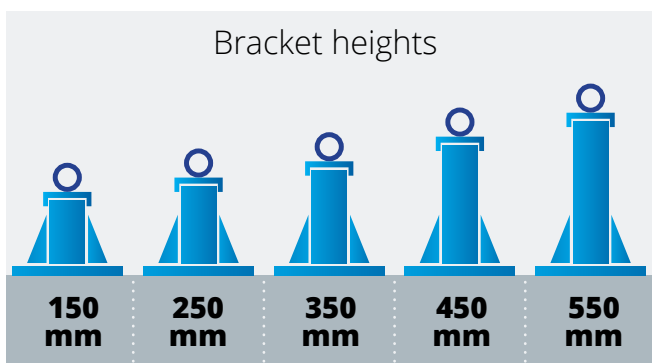
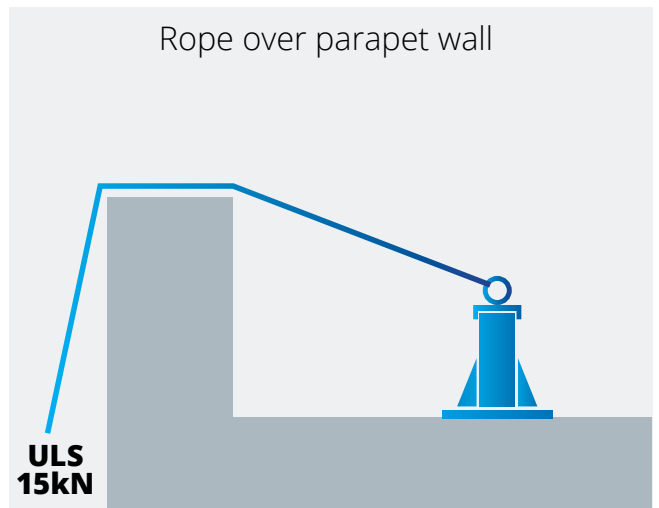
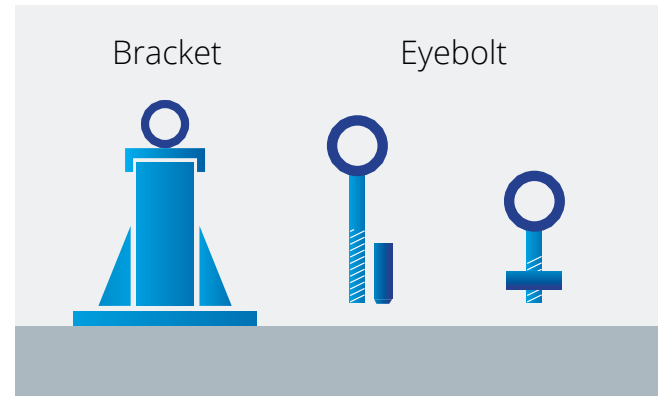
Both abseil posts and eyebolts can be installed on the horizontal or vertical substrates of a building. Careful consideration must be taken when designing the abseil positions to ensure abseil ropes will not foul with any roof plant or roof penetrations. If ropes are required to lie over any parapet walls or edge protection such as balustrading it will be necessary to ensure that the parapet has been re-enforced. The use of an abseil rope spreader plate can reduce the point loading considerably.

The brackets are designed for 1 user at any one time and 2 users in the event of emergency access requirements. Brackets need to be positioned so any rope connections do not exceed a 120 degree angle when in use – an angle of 90 degrees is recommended. This will be determined by the design layout and position of the anchors. Involving our specialist design teams as early as possible will ensure the most cost effective system is used without compromising any safety or access requirements. Our designers will consider the welfare and safety of both rope access and non-rope access personal during the construction and future use.

Brackets can be supplied in varying heights from 150mm up to 750mm to accommodate different roof constructions. The brackets are manufactured with a strengthening gusset

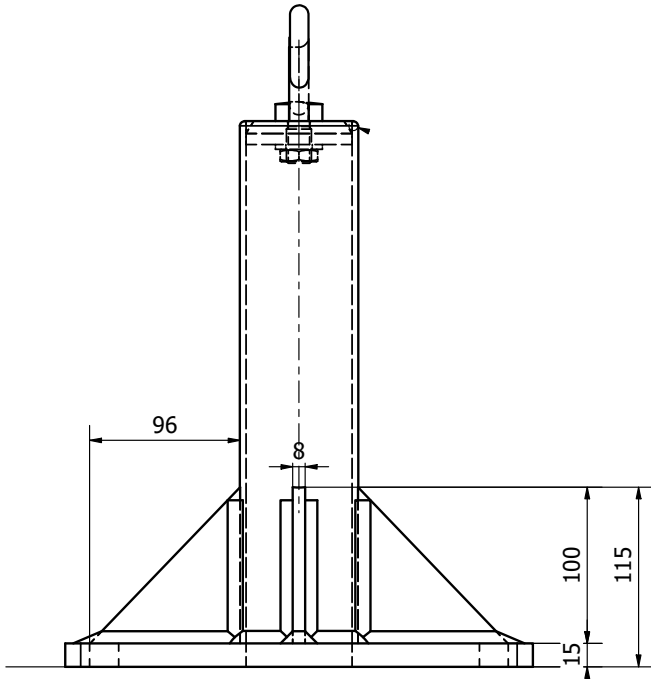
To ensure compliance with 15kN design load requirements. Eyebolts are supplied in 150mm or 100mm lengths for concrete.

Shorter eyebolts of 50mm are used in structural steel.



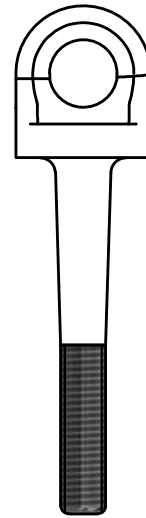
## Abseil Post

From 150mm to 750mm in height



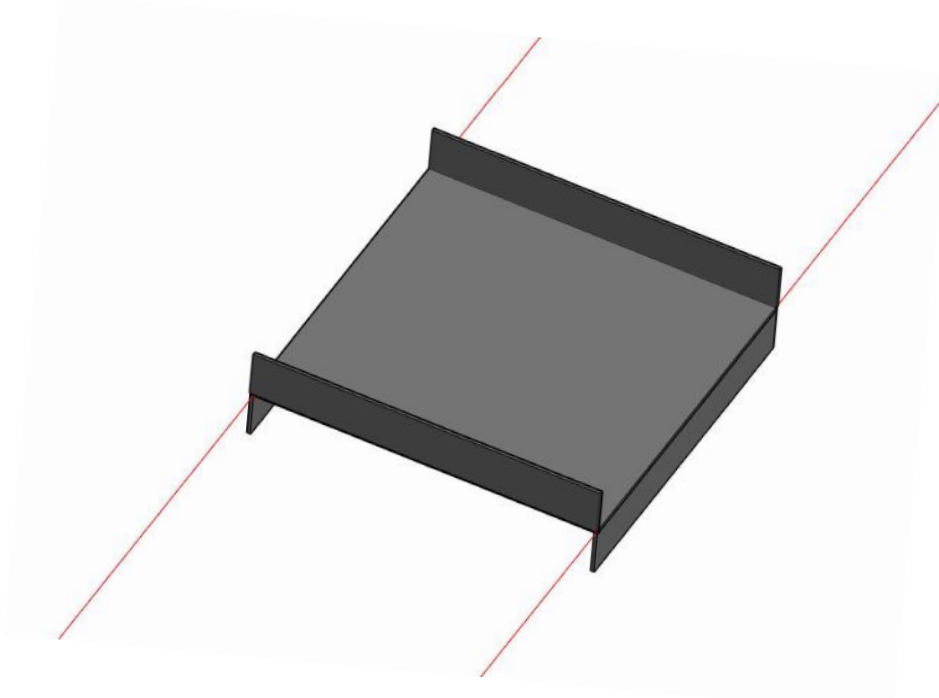
## Abseil Eyebolt

Varying lengths for different substrates



## Abseil Spreader Plate

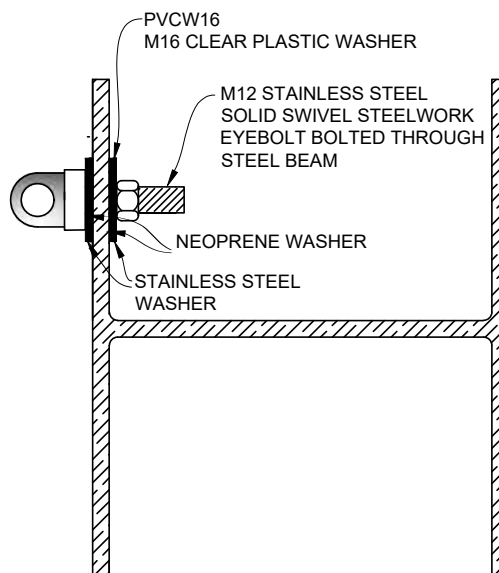
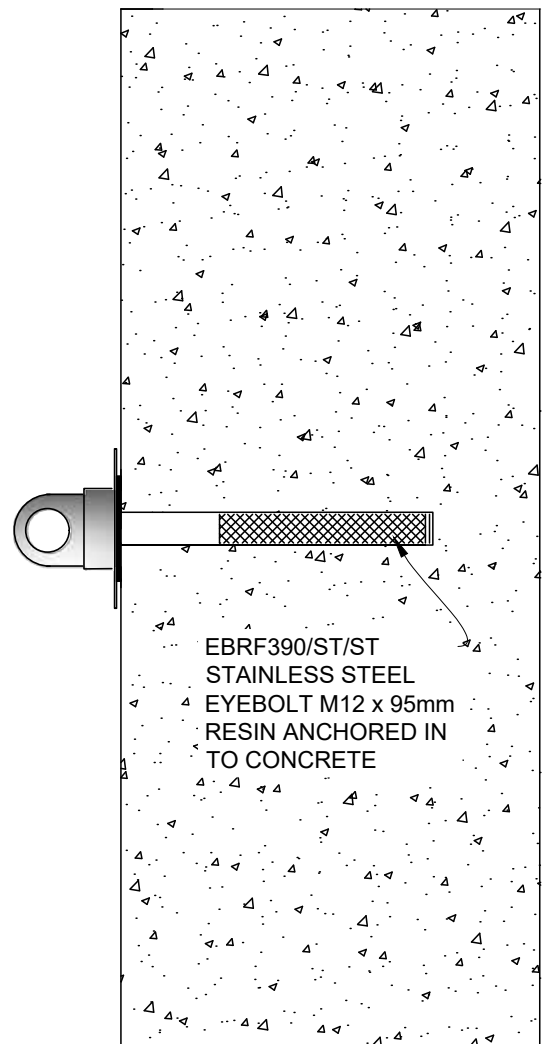
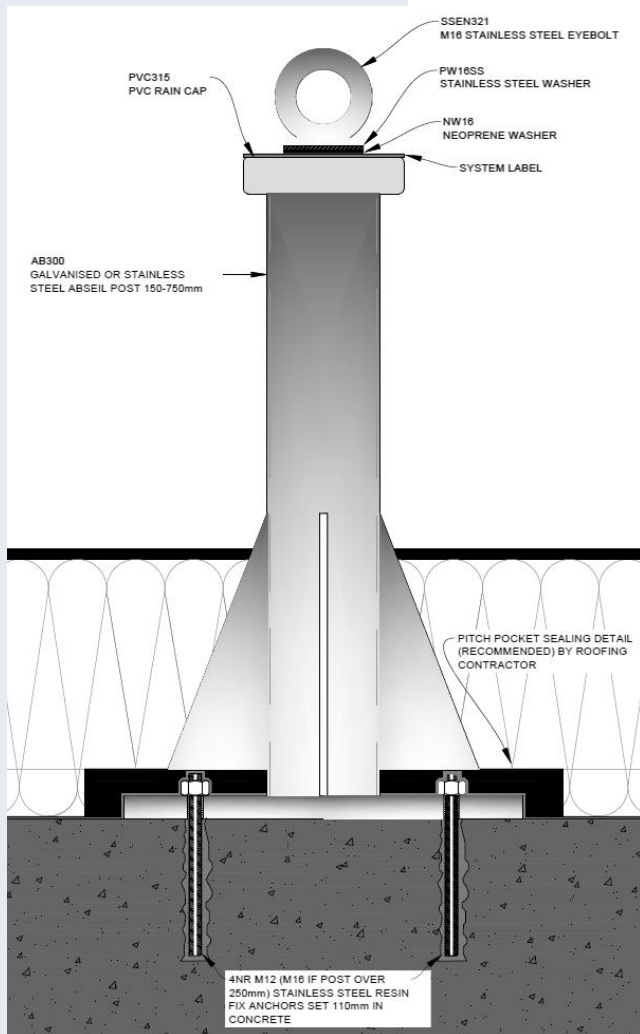
Can be custom made for your parapet to spread the loads on the coping





# Abseil Anchor Fixing Details

## Common Fixing Details



## ABOUT SAYFA

### OUR PURPOSE IS TO KEEP PEOPLE SAFE WHEN WORKING AT HEIGHT

We design, manufacture, install and maintain a range of fall protection and fall prevention products with the sole aim of either eliminating or reducing the risks associated with working above ground level.

From providing safe access to rooftops and building facades for maintenance purposes, to load and work platforms and fall arrest systems used extensively in the housebuilding and construction industry, we are always thinking ahead with a view to generating a better, more effective and safer system. At SAYFA SYSTEMS – Safety comes first.

Part of the Propco Constuct Group of companies

### OUR VALUES

- Respectful
- Energetic
- Accountable
- Caring
- Honest



Sayfa Systems Ltd  
Jubilee House  
Gelders Hall Road  
Shepshed  
Loughborough  
Leicestershire  
LE12 9NH

T: 01509 502 155  
email: [info@sayfasystems.com](mailto:info@sayfasystems.com)  
[www.sayfasystems.co.uk](http://www.sayfasystems.co.uk)