

FACADE ACCESS



SAYFA



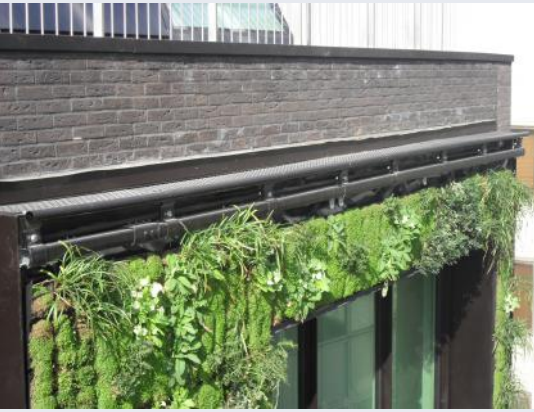
PRODUCT BROCHURE

**Abseil & Fall Arrest /
Restraint Rail**



ABSEIL & RESTRAINT RAIL

An efficient solution



“The use of a rail system has saved us a lot of time and enabled us to complete our works twice as fast over conventional means.”

The Sayfa Systems rail system is designed to be fixed to a substrate such as structural steel or concrete to provide a continuous rope access connection point. The rail is supplied with a wheeled connection point which moves smoothly along the track and around any profiled corners and bends, without the need to disconnect.

APPLICATIONS

- Designed for Abseil, fall arrest and fall restraint use
- Cleaning of Facades and for maintenance purposes
- Offering access to areas not available by conventional means
- A more efficient means of facade access over traditional means

SPECIFIC PRODUCT SPECIFICATION

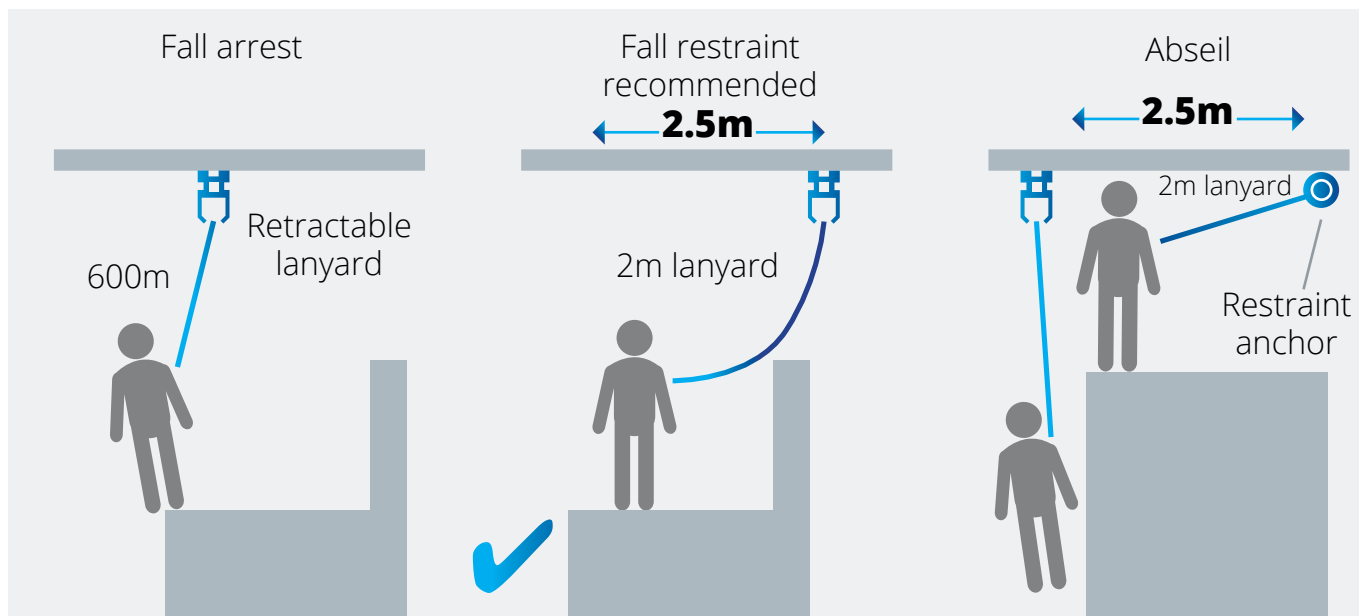
- Extruded aluminium with every batch load tested to ensure material compliance
- Spans up to 6m between brackets
- 4 users capability
- Stainless steel rollers to provide smooth travel in any orientation as well as excellent wear resistance
- Side or Top fix
- Stainless steel fixings
- Track and connection points are certified for up to 33kN loads





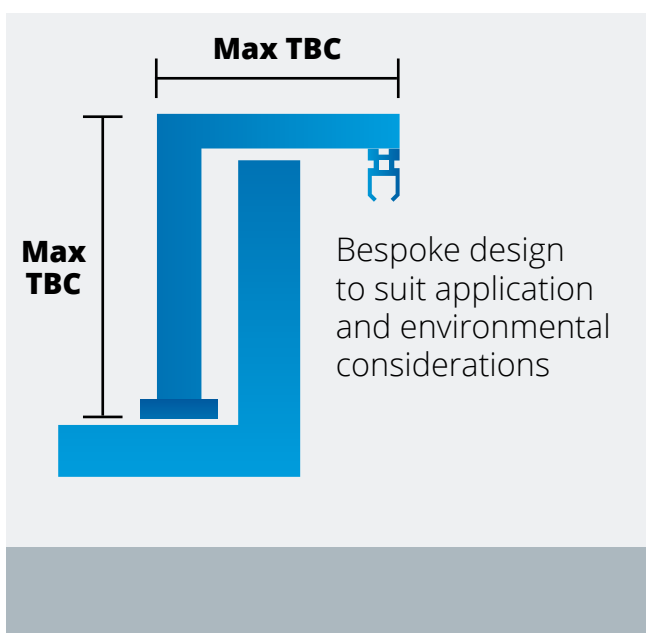
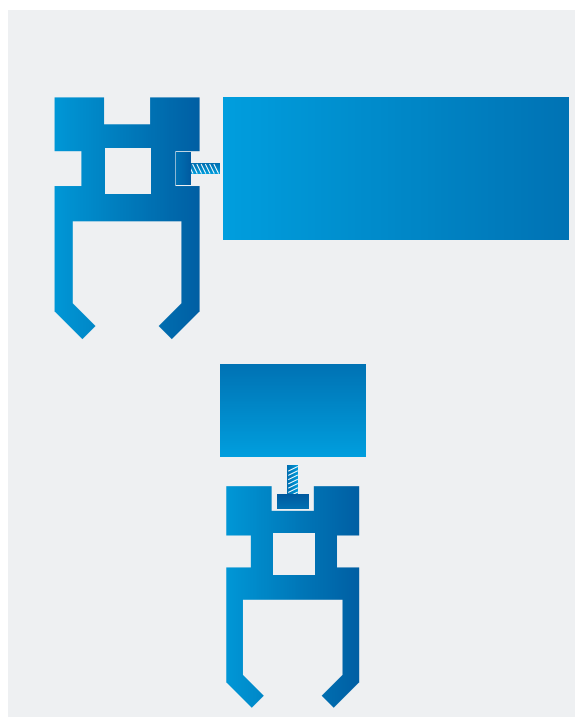
Rail

Different Uses



When using the system for abseil use it may be necessary to fit support steels and brackets over a parapet wall or obstruction if the abseil ropes cannot press down on the building edge. This is normally required when there is a light duty edge capping or parapet wall or balustrade that has not been designed for abseil use.

All support steel and the connection to the building construction must be designed to an ultimate force of 15 - 33kN dependent on the number of users. It is recommended that any support brackets are designed prior to the building construction to avoid any unnecessary or additional rework.



A number of different fixing options are available for the Raptor rail. Due to the construction of the extrusion it is very easy to attach the rail to both top or side fixings. The extrusion has a fixing slot which can accommodate Sayfa T-bolts along the complete section of the track. This flexibility ensures reduced installation time on site.



Components

Corners and sections

Standard & Bespoke Corners

Corners come in 90° as standard, these can be altered to suit exact angle



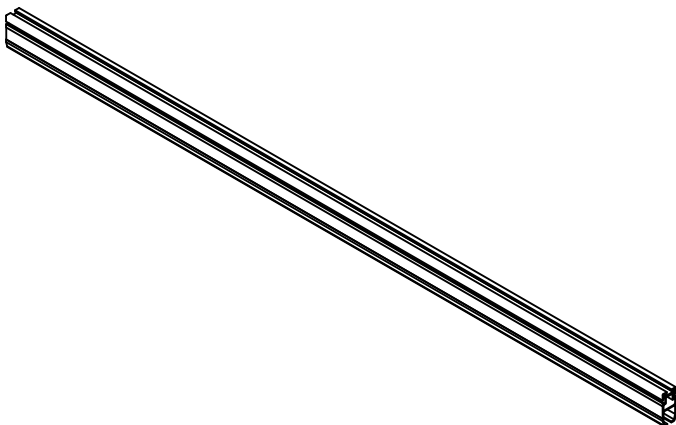
Custom Arcs

Minimum Rad 600mm Max 45m, Arcs up to 4m



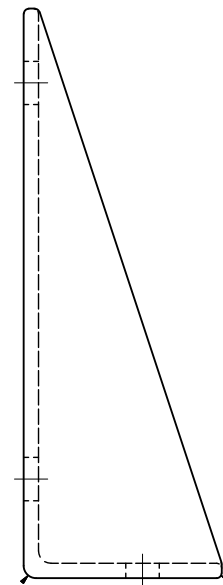
Rail Lengths

As standard, lengths come in 3m lengths however 4m and 6m lengths are available



Standard Bracket

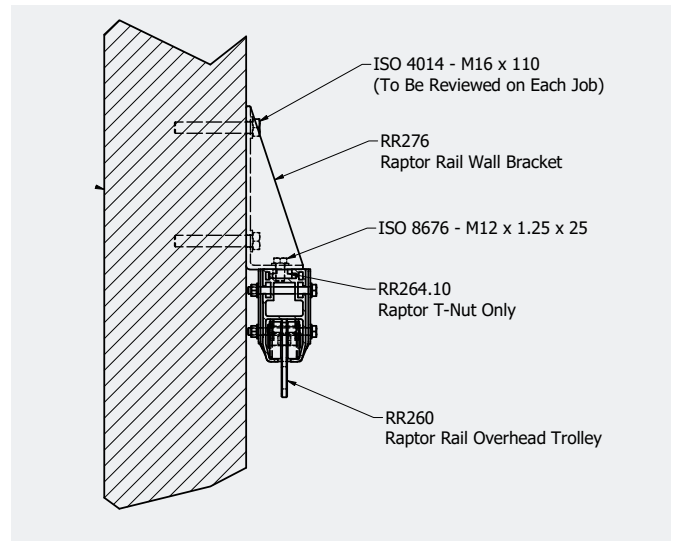
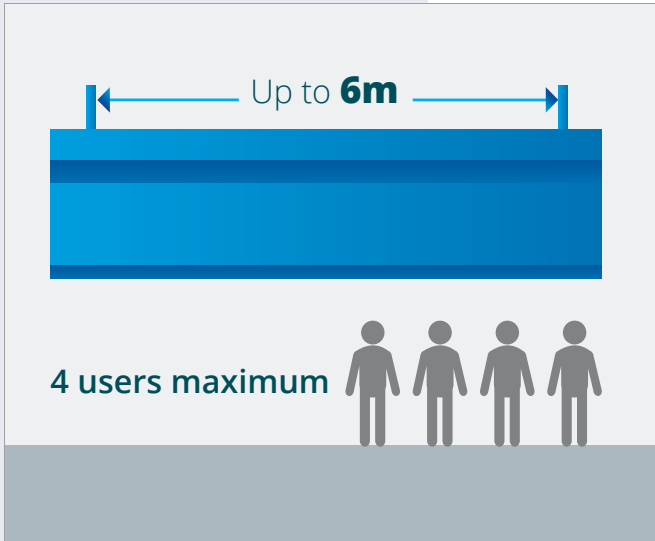
For fixing directly to the side of a concrete or steel structure





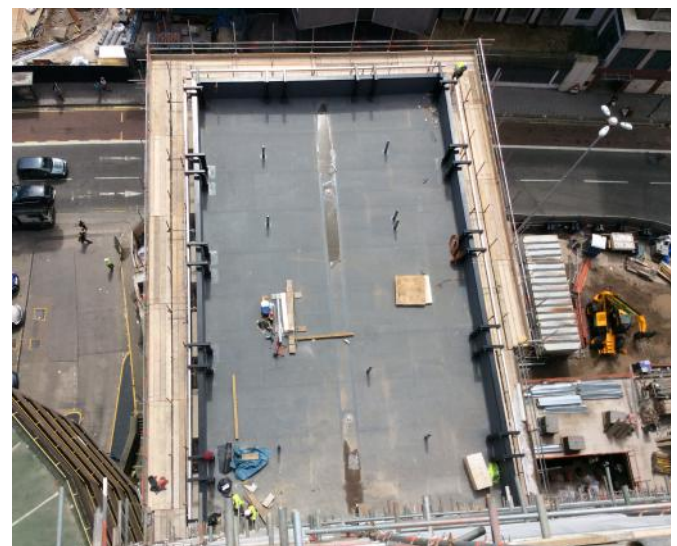
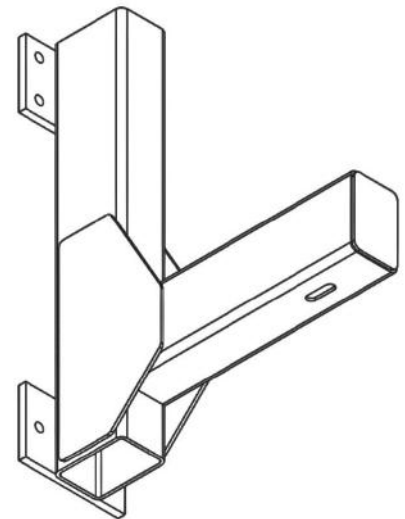
The Sayfa Facade Access System

Abseil & Fall Restraint / Arrest Rail



Bespoke Bracketry Fabrication service

- Stainless or mild steel galv.
- RAL colour powder coating
- Bracketry made to suit your design subject to suitability



WARNING

Given the hazardous nature of working at height any operatives must be in good health and good physical condition, any operatives should be competent IRATA certified technicians.

ABOUT SAYFA

OUR PURPOSE IS TO KEEP PEOPLE SAFE WHEN WORKING AT HEIGHT

We design, manufacture, install and maintain a range of fall protection and fall prevention products with the sole aim of either eliminating or reducing the risks associated with working above ground level.

From providing safe access to rooftops and building facades for maintenance purposes, to load and work platforms and fall arrest systems used extensively in the housebuilding and construction industry, we are always thinking ahead with a view to generating a better, more effective and safer system. At SAYFA SYSTEMS – Safety comes first.

Part of the Propco Constuct Group of companies

OUR VALUES

- Respectful
- Energetic
- Accountable
- Caring
- Honest



Sayfa Systems Ltd
Jubilee House
Gelders Hall Road
Shepshed
Loughborough
Leicestershire
LE12 9NH

T: 01509 502 155
email: info@sayfasystems.com
www.sayfasystems.co.uk